

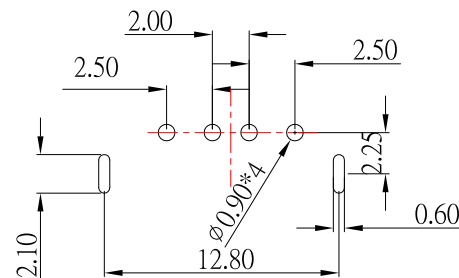
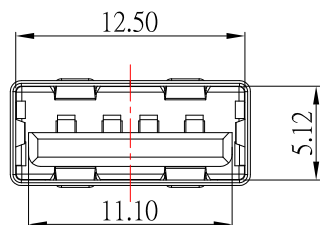


SUA-110V8I-x-S329

COLOR :

Black : B

White : W



P.C.B LAYOUT MOUNTING PATTERN

SPECIFICATIONS

Electrical:

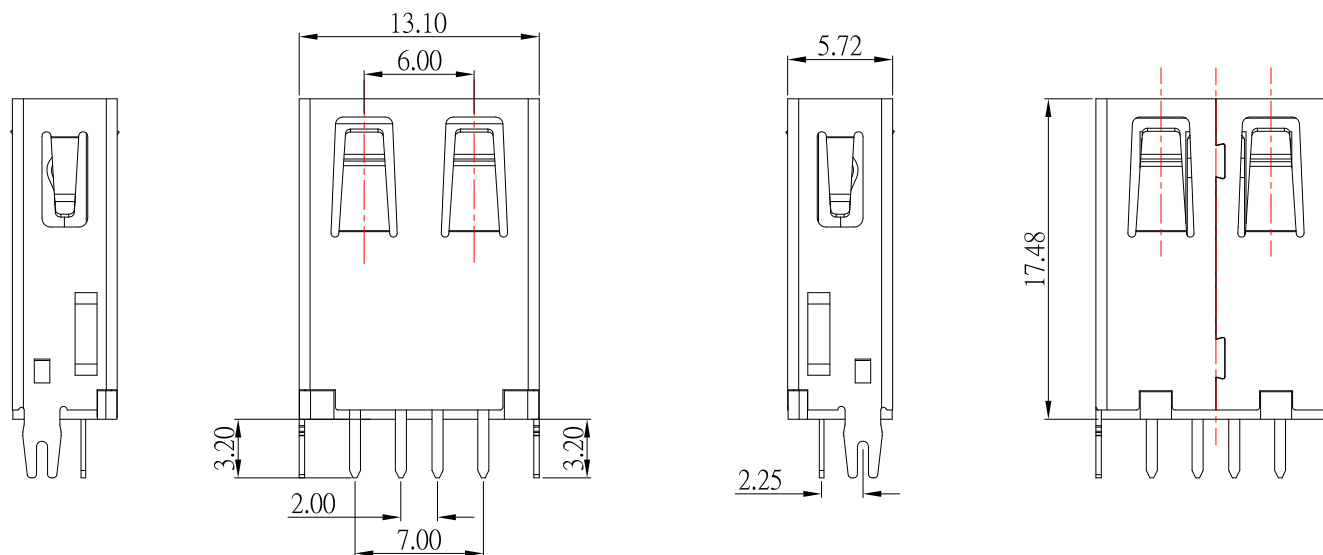
- 1.Contact Resistance: 30 mΩ Max
- 2.Insulation Resistance: 1,000 MΩ Min
- 3.Dielectric Withstanding Voltage: 500 V DC

Material:

- 1.Housing: PBT, UL 94V-0
- 2.Contact: BRASS
- 3.Shell: SPCC

Finish:

- 1.Contact: Plated Gold in Mating Area ;
Tin Plated on Solder Balls
Nickel under plated overall
- 2.Shell: Nickel under Plated surface layer



CONTACT 建倚科技股份有限公司
CONTACT TECHNOLOGY CORP.

TOLERANCE UNLESS OTHERWISE STATED :
Up to 5 ±0.2
Above 5 ~ 15 ±0.3
Above 15 ~ 30 ±0.4
Above 30 ~ 50 ±0.5
Angle ±0.3°

3RD. ANGEL'S



UNITS MM

DRAWN BY:	DATE	MATL	TITLE	CONNECTOR
Jack Lu	06/17/22		MODLE	USB A/F 插板 無捲邊直腳 L:17.5mm
CHECKED BY:	DATE	SCALE	DWG NO.	SUA-110V8I-x-S329
Jacky Chen	06/17/22	1 : 1	PART NO.	SUA-110V8I-x-S329
APPROVED BY:	DATE	SHEET NO.		
Tony Kao	06/17/22	1 of 1		

1	更新樣式	Jack	061722
ITEM NO.	DESCRIPTION	DRAWN	DATE